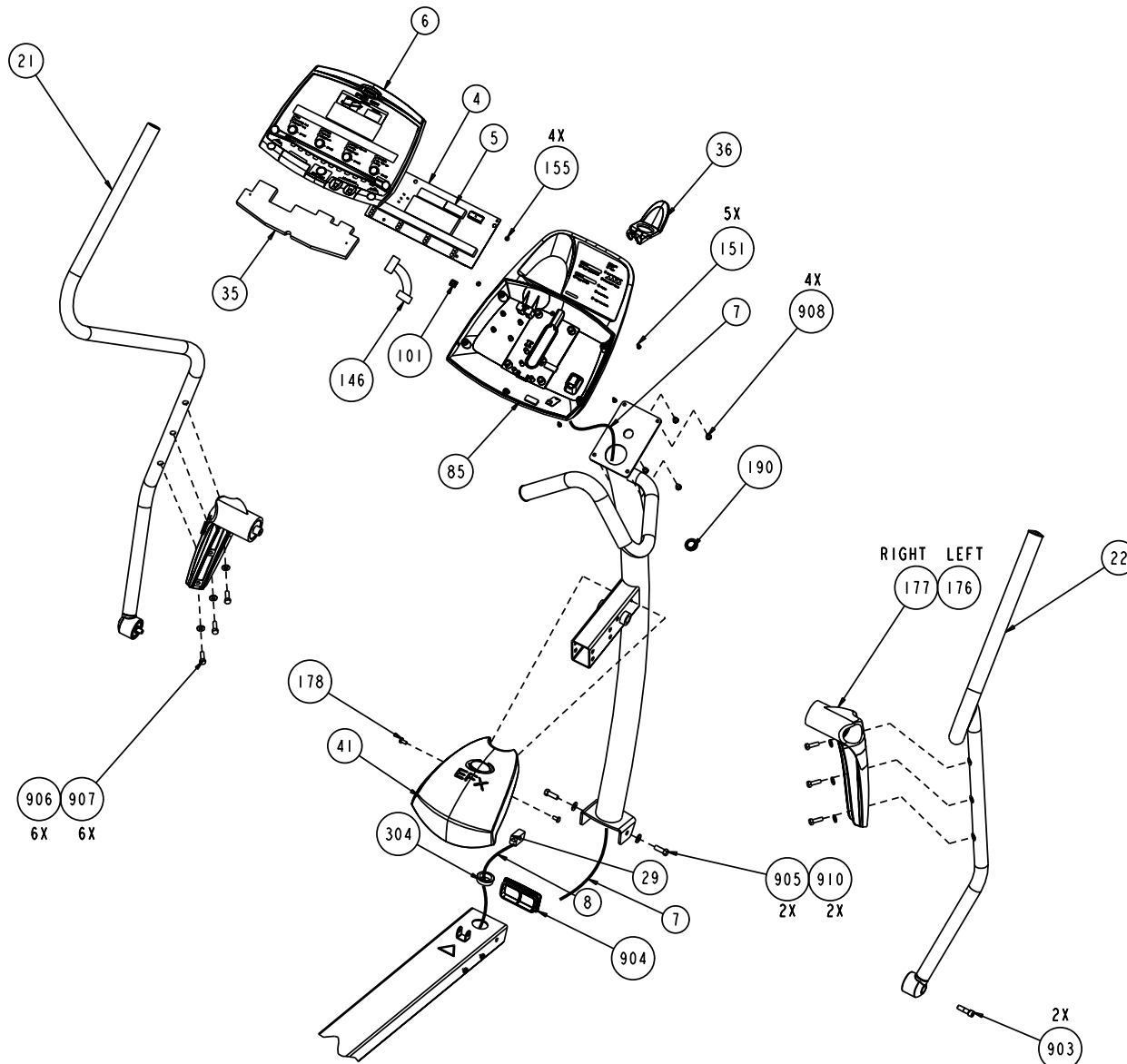
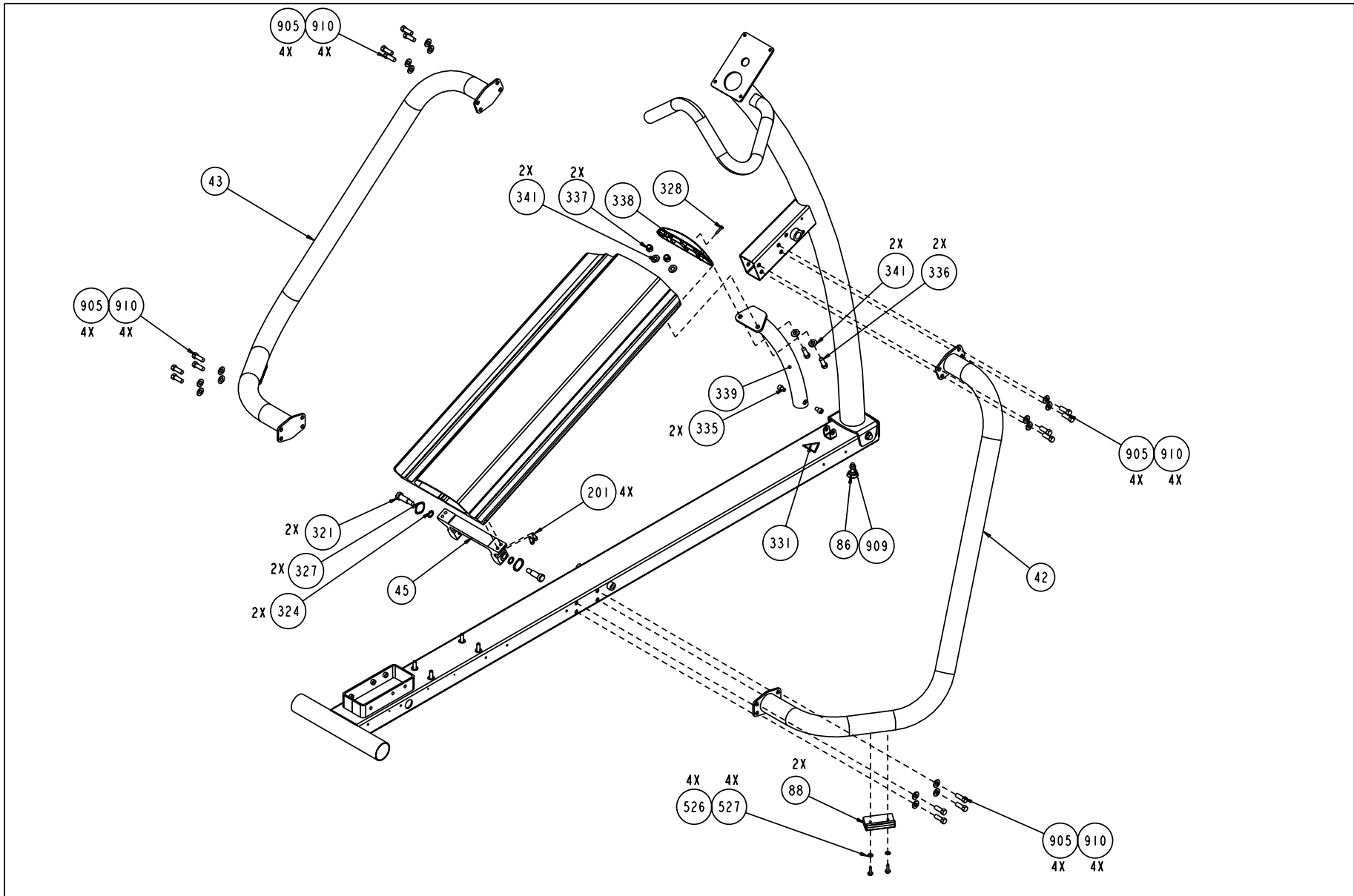


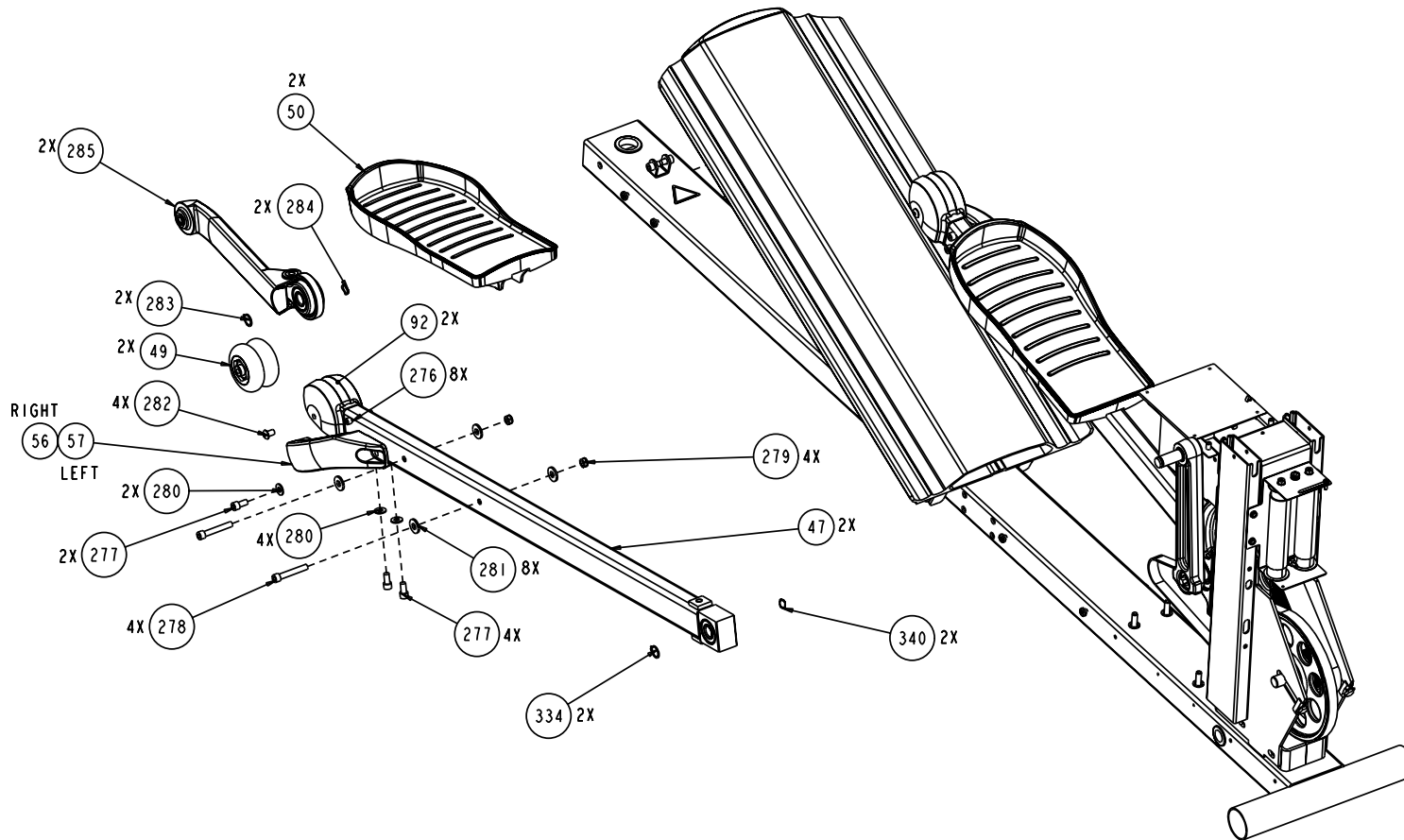
| | | |
|----------------------|----------------|--------------|
| C556 NAVY | P/N 45850-101 | REV: D02 |
| DRAWN BY: GRANADOSIN | DATE: 05.11.05 | SHEET 1 OF 7 |



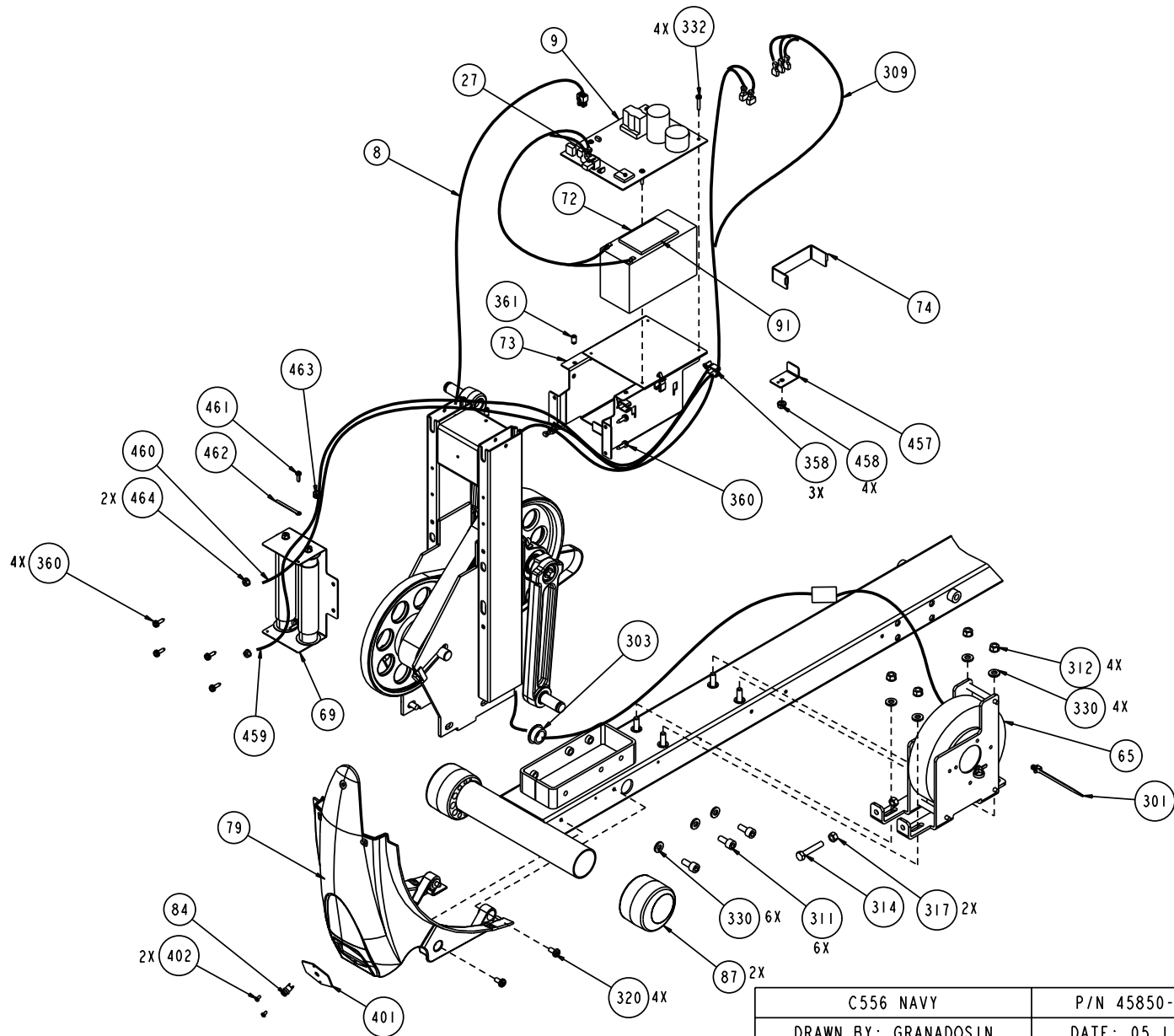
| | | |
|----------------------|----------------|--------------|
| C556 NAVY | P/N 45850-101 | REV: D02 |
| DRAWN BY: GRANADOSIN | DATE: 05.11.05 | SHEET 2 OF 7 |



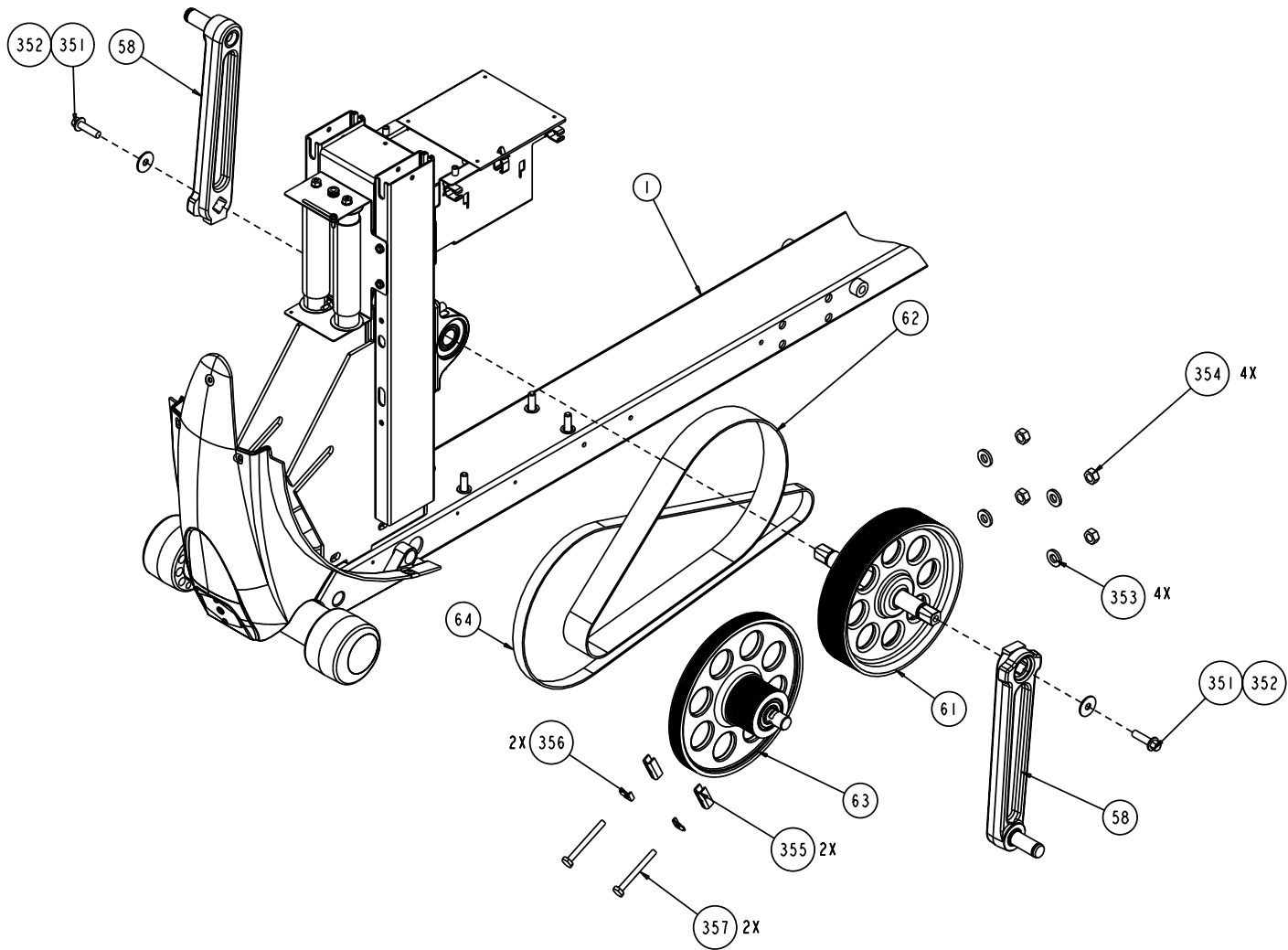
| | | |
|----------------------|----------------|--------------|
| C556 NAVY | P/N 45850-101 | REV: D02 |
| DRAWN BY: GRANADOSIN | DATE: 05.11.05 | SHEET 3 OF 7 |



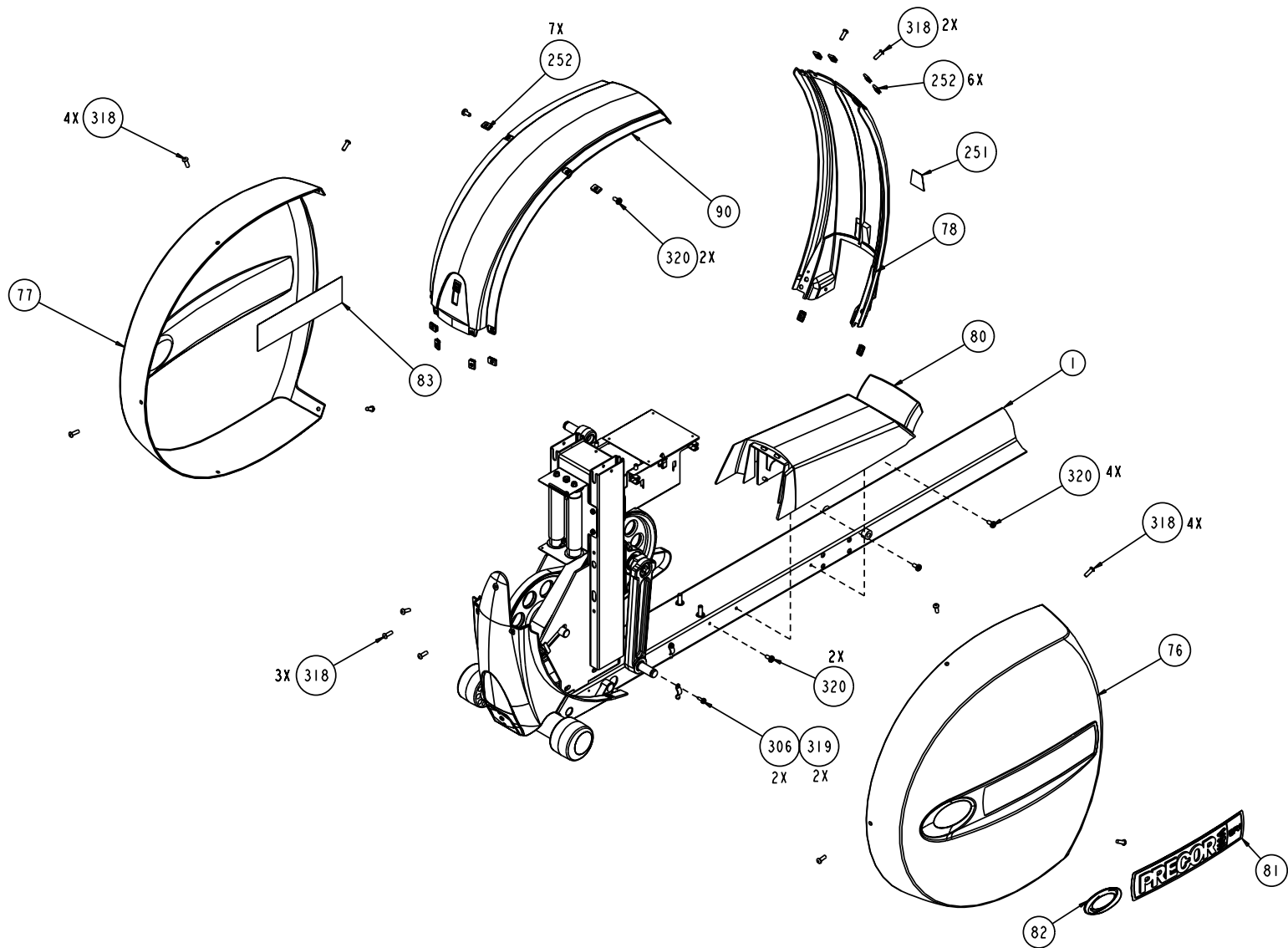
| | | |
|----------------------|----------------|--------------|
| C556 NAVY | P/N 45850-101 | REV: D02 |
| DRAWN BY: GRANADOSIN | DATE: 05.11.05 | SHEET 4 OF 7 |



| | | |
|----------------------|----------------|--------------|
| C556 NAVY | P/N 45850-101 | REV: D02 |
| DRAWN BY: GRANADOSIN | DATE: 05.11.05 | SHEET 5 OF 7 |



| | | |
|----------------------|----------------|--------------|
| C556 NAVY | P/N 45850-101 | REV: D02 |
| DRAWN BY: GRANADOSIN | DATE: 05.11.05 | SHEET 6 OF 7 |



| | | |
|----------------------|----------------|--------------|
| C556 NAVY | P/N 45850-101 | REV: D02 |
| DRAWN BY: GRANADOSIN | DATE: 05.11.05 | SHEET 7 OF 7 |

C556 (Navy)(serial code NG, SY)

| Part Number | Description | Bubble Number |
|--------------------|--------------------------------------|----------------------|
| 45352-101 | WLDMT, LWR FRM, VERT EFX, THD, PT | 1 |
| 39006-502 | PCA,DISPLAY,C2 | 4 |
| 45065-103 | ASSY,PCA&SW,C556,SELF PWR,UPR | 4.01 |
| 44939-204 | PROM, PGMD,C556, SELF PWR,UPR,V2.04 | 5 |
| 46957-111 | ASSY,DISPLAY,LABEL,EN,556NAVY,LARGE | 6 |
| 44905-084 | ASSY,CBL,MOD,8P8C,1-1,84" | 7 |
| 44905-108 | ASSY,CBL,MOD,8P8C,1-1,108" | 8 |
| 44306-513 | PCA,EFX,SELF PWR,LWR,WO/LIFT | 9 |
| 45600-522 | PCA, EFX SELF POWER, 3-PHASE, WO/LI | 9 |
| 45064-111 | ASSY, LOWER PCA & SW, SELF POWER EFX | 9.01 |
| 44389-103 | ASSY, HANDLEBAR, LEFT, 5.33 | 21 |
| 44389-104 | ASSY, HANDLEBAR, RIGHT, 5.33 | 22 |
| 45115-205 | CPU,PGMD,EFX,SELF PWR,LWR,WO/LIFT,V | 27 |
| 45115-211 | CPU, PGMD, EFX, SELF POWER 3-PHASE, | 27 |
| 11415-101 | COUPLER,MOD,8P8C,INLINE | 29 |
| 48026-101 | RECEIVER, WIRELESS, HEART RATE, POL | 30 |
| 43329-102 | WIRE FORM,PLASTIC,COMMERCIAL | 36 |
| 44322-104 | WELDMENT, ARC TUBE, THREADED, 5.33 | 37 |
| 44384-101 | COVER, UPPER MOUNT, RETAIL EFX, CHA | 41 |
| 44317-102 | ASSY,MAIN TUBE,RIGHT, RETAIL EFX | 42 |
| 44318-104 | WELD,MAIN TUBE,RIGHT,RETAIL EFX,PT | 42 |
| 44317-101 | ASSY,MAIN TUBE,LEFT, RETAIL EFX | 43 |
| 44318-103 | WELD,MAIN TUBE,LEFT,RETAIL EFX,PT | 43 |
| 43792-103 | RAMP, MACHINED, C556NAVY | 44 |
| 46955-102 | ASSY, RAMP, C556NAVY | 44 |
| 44333-103 | ASSY, RAMP, LIFT BRKT, RETAIL EFX | 45 |
| 50571-103 | KIT,ASSY, RAIL ARM PIVOT,C556 | 47 |
| 46875-102 | ASSY, STAIRARM WHEEL OVERMOLD, BLAC | 49 |
| 50578-102 | ASSY, STAIRARM WHEEL, LARGE BEARING | 49 |
| 50588-102 | EFX WHEEL & COVER REPLACEMENT KIT | 49.01 |
| 37314-108 | PEDAL, FOOT | 50 |
| 43240-102 | ASSEMBLY, ARM, CONNECTOR, RIGH | 56 |
| 43240-101 | ASSEMBLY, ARM, CONNECTOR, LEFT | 57 |
| 50582-101 | C546, C556 CRANKARM REPLACEMENT KIT | 58.01 |
| 44947-101 | ASSEMBLY, DRIVE INPUT,SP EFX | 61 |
| 10217-133 | BELT, DRIVE, 340J16 POLY V | 62 |
| 44944-101 | ASSY,STEP-UP PULLEY,SP,EFX | 63 |
| 10217-121 | BELT, POLY-V, 44 , 440J6 | 64 |
| 44739-103 | ASSEMBLY,SP,GENERATOR | 65 |
| 11437-020 | RES,PWR,20 OHMS,300W,10%, | 67 |
| 39700-101 | ASSEMBLY, RESISTOR, 240W | 69 |
| 45907-101 | BRACKET, RESISTOR SUPPORT,EFX | 69 |
| 44952-103 | CLIP,RESISTOR,SELF POWERED EFX | 71 |
| 45969-101 | ASSY, BATTERY W/CABLE,SLA,12V,12AH, | 72 |
| 45970-101 | ASSY, BATTERY W/CABLE,SLA,12V,7AH,. | 72 |
| 45908-105 | BRACKET, BATTERY, LARGE, SELF POWER | 73 |
| 45909-101 | SPACER, BATTERY BRACKET, SELF-POWER | 74 |
| 44940-101 | ASSY,DRIVE WLDMT,SP EFX | 75 |
| 44527-106 | ASSY, EFX COVER, RIGHT SIDE | 76 |

| | | |
|--------------|-------------------------------------|-----|
| 44527-108 | ASSY, EFX COVER, LEFT SIDE, SP | 77 |
| 44479-101 | ASSY, FRONT PANEL, EFX COVER, REAR | 78 |
| 43707-102 | SUPPORT, REAR COVER,CHARCOAL GRAY | 79 |
| 43840-101 | WEDGE, REAR COVER, EFX,CHARCOAL GRA | 80 |
| 45252-035 | ASSY,CBL,2C,PWR JACK/.08 RECP,35" | 84 |
| 43179-103 | BACKPLATE, DISPLAY, COMMERCIAL, CHA | 85 |
| 11406-103 | FOOT, LEVELER, RUBBER BASE, 1.5"LG | 86 |
| 37534-102 | FOOT, ADJUSTABLE | 87 |
| 37535-102 | FOOT, FIXED | 88 |
| 44480-102 | ASSY, TOP PANEL, EFX COVER, REAR | 90 |
| 41650-502 | BATTERY, PAD, 3.25 X 2.0 X 3/16 THI | 91 |
| 43702-504 | WHEEL, COVER, 556, PT | 92 |
| 11075-110 | FUSE,6.30A,250VAC,SLOW,RADIAL | 95 |
| 12264-101 | RJ-45 TELEPHONE JACK PLUG | 101 |
| 39029-501 | ASSY,CABLE,TOUCHSENSOR | 146 |
| PMKN016-050 | SCREW,TCS,#8X1/2,PHIL,BLK ZN,TYPE25 | 151 |
| 43208-110 | LABEL, ACCESSORY TRAY,EN, 556 | 152 |
| PMKN016-050 | SCREW,TCS,#8X1/2,PHIL,BLK ZN,TYPE25 | 155 |
| 44391-501 | ASSY,CASTING,UPPER,LEFT,OUTSRCD | 176 |
| 44391-502 | ASSY,CASTING,UPPER,PIVOT,RT,OUTSRCD | 177 |
| PANKN025-050 | SCREW,S/T,#1/4-20X1/2,PANHD,PHIL,BZ | 178 |
| 47718-102 | HOLE PLUG, PLASTIC .875 X.13-.18 | 179 |
| CAKN025-063 | SCREW,SKHD,1/4-20X5/8,BLK ZN,LK | 201 |
| 10136-103 | CLIP,U TYPE, TINNEMAN, 1/4-20 | 252 |
| CCNN025-050 | SCREW,SKHD,1/4-20 X0.50,SS,LK | 276 |
| CCNN031-063 | SCREW,SKHD, 5/16-18 X 5/8, SS,LK | 277 |
| CCNN031-200 | SCREW,SKHD,5/16-18X2,SS,LK | 278 |
| KADN031-016 | LOCKNUT,HALF,5/16-18,CAD PLT | 279 |
| WPNN031-007 | WASHER,ID=5/16,OD=688,THK=.065 | 280 |
| WPNN038-008 | WASHER,FLT,5/16X.875X.104,SS | 281 |
| TCNN031-050 | SCREW,BTHD,5/16-18, 1/2,SS | 282 |
| WAGNN062-001 | WASHER, WAVE, .87 OD X .62 ID | 283 |
| ABHN017-001 | RING, RETAINER, EXTERNAL | 284 |
| 44512-101 | ASSY, LINK, SECONDARY, PLASTIC | 285 |
| 10178-107 | BUSHING, SNAP | 303 |
| 10178-112 | BUSHING, SNAP | 304 |
| 12240-101 | CLAMP, CABLE | 306 |
| 45254-040 | ASSY,CBL,3C,18AWG,MINIFIT/QK DISC | 309 |
| CAKN031-075 | SCREW,SKHD,5/16-18X0.75,BLK ZN,LK | 311 |
| CBKN019-100 | SCREW,SKHD,10-32X1,BLK ZN | 312 |
| KGCN031-027 | LOCKNUT,STARWASHER,5/16-18,1/2 | 312 |
| HJCN031-175 | SCREW,HEX,5/16-18X1.75 ,ZINC,FULLY | 314 |
| KMCN031-023 | NUT, HEX, 5/16-18, ZINC | 317 |
| TFKN025-075 | SCREW,BTHD,1/4-20X3/4,BLK ZN | 318 |
| PKCN019-050 | SCREW,S/T,#10X1/2,WSHXHD,ZN | 319 |
| PNKN025-050 | SCREW,PANHD,PHIL,TYPEF,1/4-20X.5,BZ | 320 |
| RAKN038-125 | SCREW,SHLD,3/8X1-1/4,HEXSC,BLK ZN | 321 |
| WAGNN048-001 | WASHER,WAVE (SSR-0062) | 324 |
| WNNN051-002 | WASHER,SHIM,1/2X3/4X.020THK | 327 |
| PGKN016-100 | SCREW, S/T, #8 X 1, TRS, PHIL, BLK | 328 |
| WRCN031-009 | WASHER,GRADE 8,3/8,13/32 ID,13/16OD | 330 |